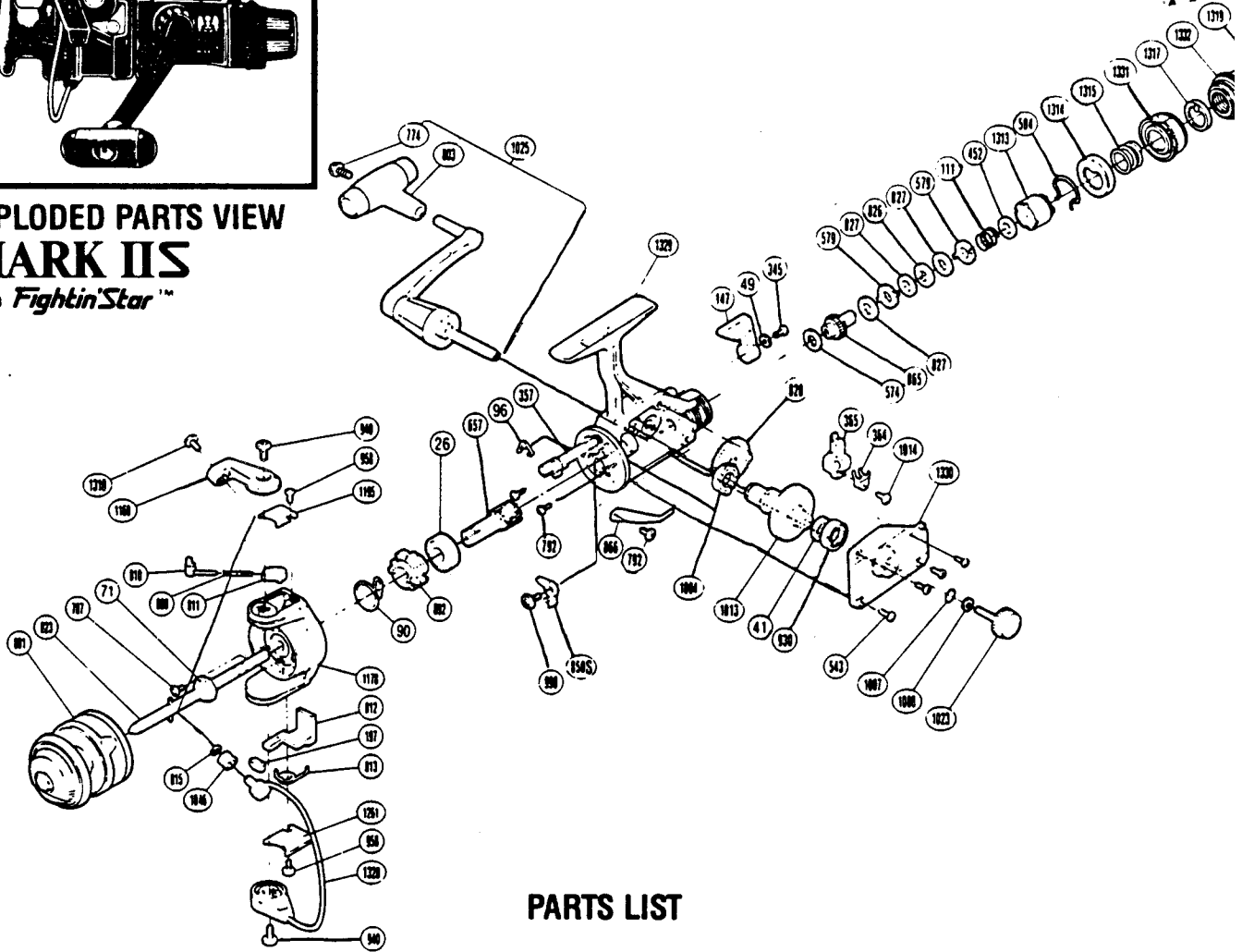


**EXPLODED PARTS VIEW  
MARK II S**  
with *Fightin' Star*™



**PARTS LIST**

**PART # DESCRIPTION**

- RD 0026 Ball Bearing
- RD 0041 Drive Gear Washer
- RD 0049 Lock Washer
- RD 0071 Rotor Nut
- RD 0090 Anti-Reverse Pawl Spring
- RD 0096 Anti-Reverse Cam Spring
- RD 0111 Drag (Coil) Spring
- RD 0147 Anti-Reverse Lever
- RD 0197 Bail Trip Slide Cam
- RD 0345 Anti-Reverse Lever Screw
- RD 0357 Anti-Reverse Cam
- RD 0364 Oscillating Slider Retainer
- RD 0365 Oscillating Slider
- RD 0452 Drag Spring Washer "A"
- RD 0543 Side Cover Screw (B)
- RD 0574 Drag Washer "C2" (White)
- RD 0579 Eared Washer "B"
- RD 0584 Hold Click Spring
- RD 0657 Pinion Gear
- RD 0774 Handle Knob Screw
- RD 0787 Nut Lock Screw
- RD 0792 Bearing Retainer Screw

**PART # DESCRIPTION**

- RD 0801 Spool Assembly (Universal)
- RD 0803 Handle Knob
- RD 0808 Bail Spring
- RD 0810 Bail Spring Guide A
- RD 0811 Bail Spring Guide B
- RD 0812 Bail Trip Lever
- RD 0813 Lever Spring
- RD 0815 Line Roller Washer
- RD 0820 Oscillating Gear
- RD 0823 Main Shaft
- RD 0826 Key Washer "A"
- RD 0827 Drag Washer "H1"
- RD 0850S Anti-Reverse Pawl
- RD 0865 Drag Shaft
- RD 0866 Drag Click
- RD 0892 Anti-Reverse Ratchet
- RD 0930 Ball Bearing
- RD 0940 Bail Trip Cam Screw
- RD 0958 Bail Trip Cover Screw
- RD 0998 Anti-Reverse Pawl Screw
- RD 1004 Bushing A
- RD 1007 Lock Washer Retainer

**PART # DESCRIPTION**

- RD 1008 Handle Lock Washer
- RD 1013 Drive Gear
- RD 1014 Slider Retainer Screw
- RD 1023 Handle Screw Cap
- RD 1025 Handle Assembly
- RD 1046 Sic Ceramic Roller
- RD 1160 Bail Arm
- RD 1178 Rotor
- RD 1195 Bail Spring Cover
- RD 1261 Bail Trip Cover
- RD 1310 Line Roller Screw
- RD 1313 Pressure Screw
- RD 1314 Pre-Set Spring Cover
- RD 1315 Pre-Set Spring
- RD 1317 Pre-Set Cam
- RD 1319 Drag Knob Screw
- RD 1328 Bail Assembly
- RD 1329 Body
- RD 1330 Side Cover
- RD 1331 Pre-Set Ring
- RD 1332 Drag Knob